

## 10.000 - 30.000 l/h

### Typical applications

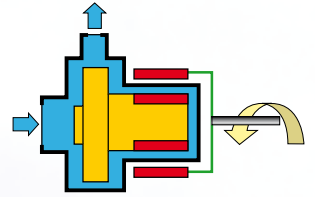
- Ideal for clean or slightly contaminated acids and alkalines
- Suitable for most plating solutions
- Not suitable for electroless nickel and abrasive solutions or solutions which contain ferrous particles

### Features

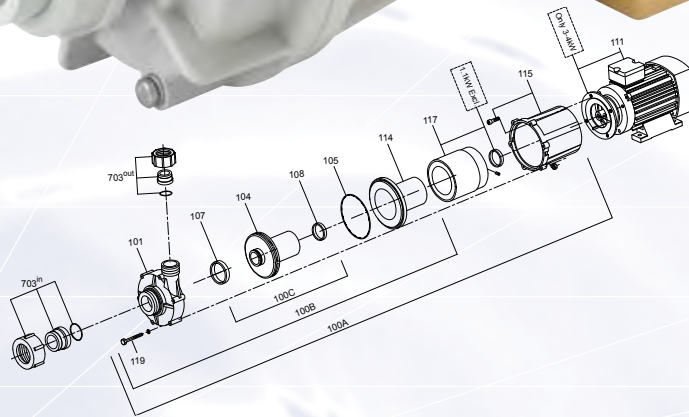
- Magnetic drive
- Sealless, therefore leakfree
- Provide extra safety factor for aggressive and expensive liquids
- Standard with GF union connections with a choice of sockets, available in PP, PVDF and CPVC
- Max. temp. PP 80°C / 176°F, PVDF 100°C / 212°F
- Motor with two component Polyurethane coating for excellent chemical resistance

### Options

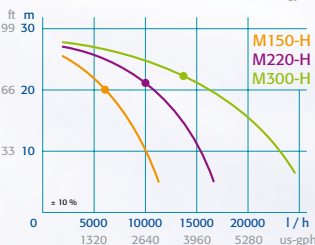
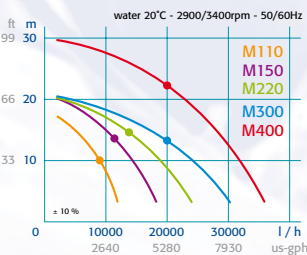
- Hose adapters
- Flanges
- Priming chamber
- Dry run protection



M110



## Magnetic drive pumps M110 .. M400 - PP/PVDF



Type	Motor		Max SG at BEP	Net weight kg	In *) d/DN	Out *) d/DN	Dimensions (mm)		
	kW	HP					L	W	H
M110	1,1	1-1/2	1,5	14,5	40/32	32/25	416	153	202
M150	1,5	2	1,4	17,5	50/40	40/32	472	170	229
M220	2,2	3	1,6	23	63/50	50/40	517	170	235
M300	3	4	1,4	27	63/50	50/40	551	195	254
M400	4	5-1/2	1,3	33	63/50	50/40	568	225	279

M150-H	1,5	2	1,2	17,5	63/50	50/40	472	170	229
M220-H	2,2	3	1,5	23	63/50	50/40	517	170	235
M300-H	3	4	1,2	27	63/50	50/40	551	195	254

\*) d/DN=OD/ID metric size pipe

 Best Efficiency Point (BEP)

 [www.hendor.com](http://www.hendor.com)

